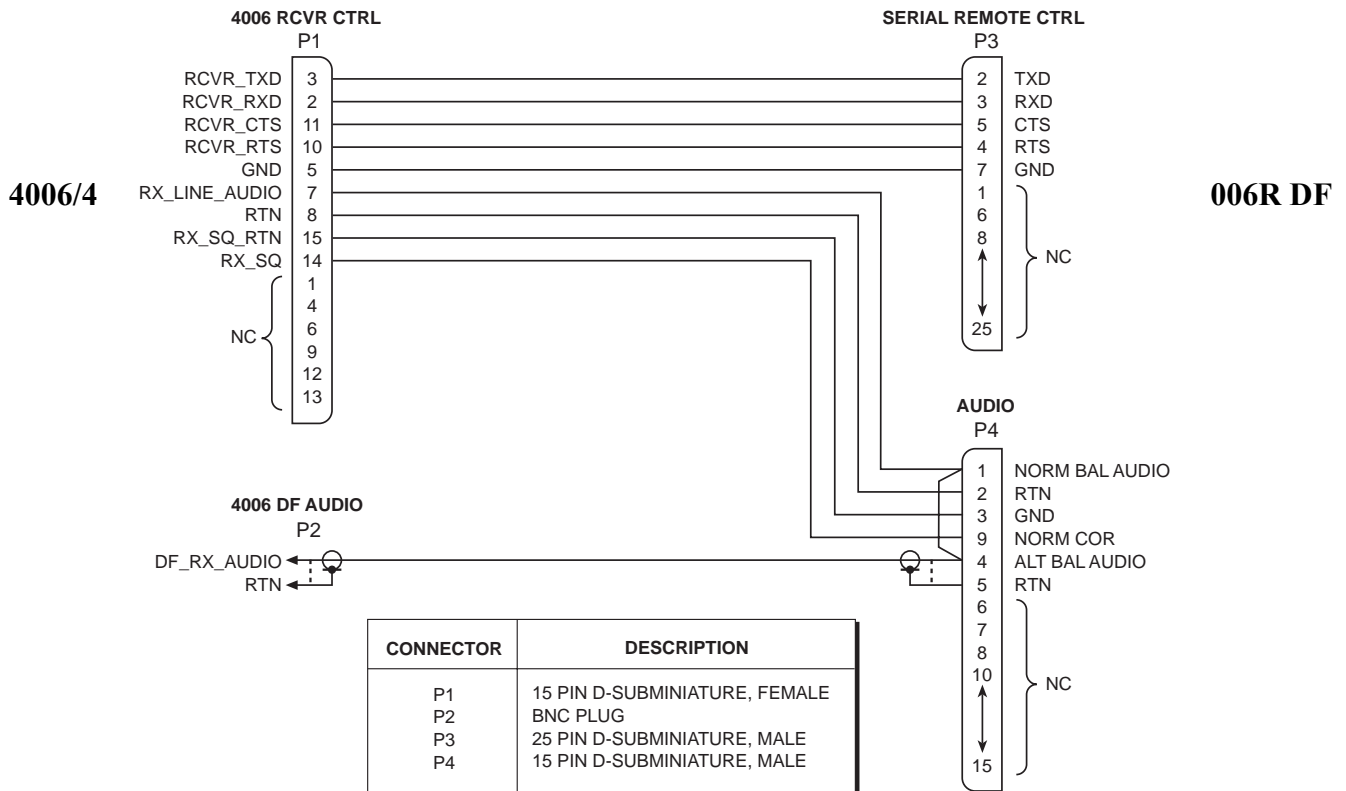
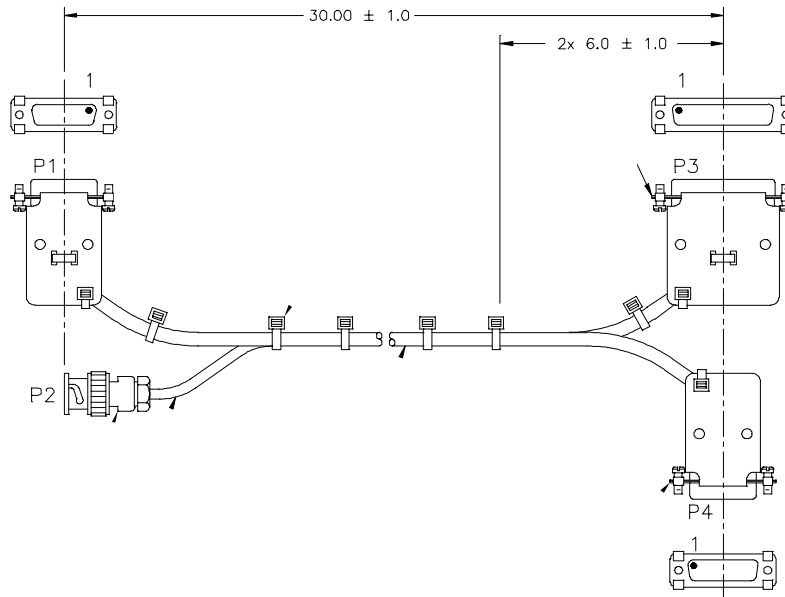


APPENDIX V

4006/4006R DF PROCESSOR TO RECEIVER INTERFACE CABLES

**4006/4006R DF PROCESSOR TO CUBIC RECEIVER
INTERCONNECT CABLE (0251-5003-1)**

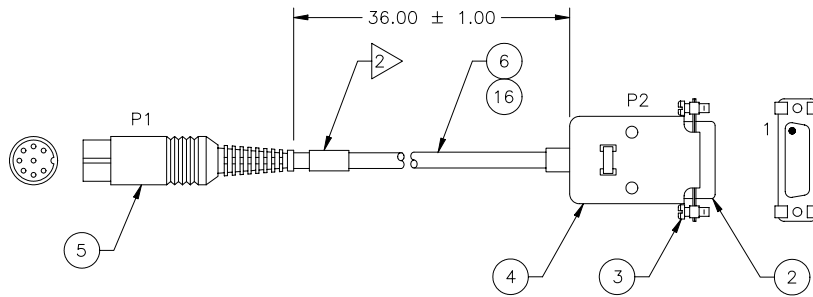


Proces

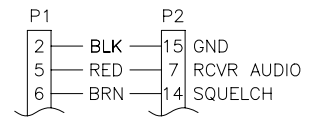
Note: Add jumper from P1-14 to P1-6 (+5V Squelch Pull-up) for interface with Cubic and Icom R7100 receivers.

Connector to ICOM IC-R9000 Receiver Interconnect Cable

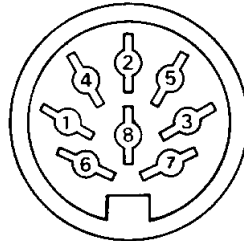
(0250-5002-1)



- 1 CABLE ASSY



PIN NUMBERS



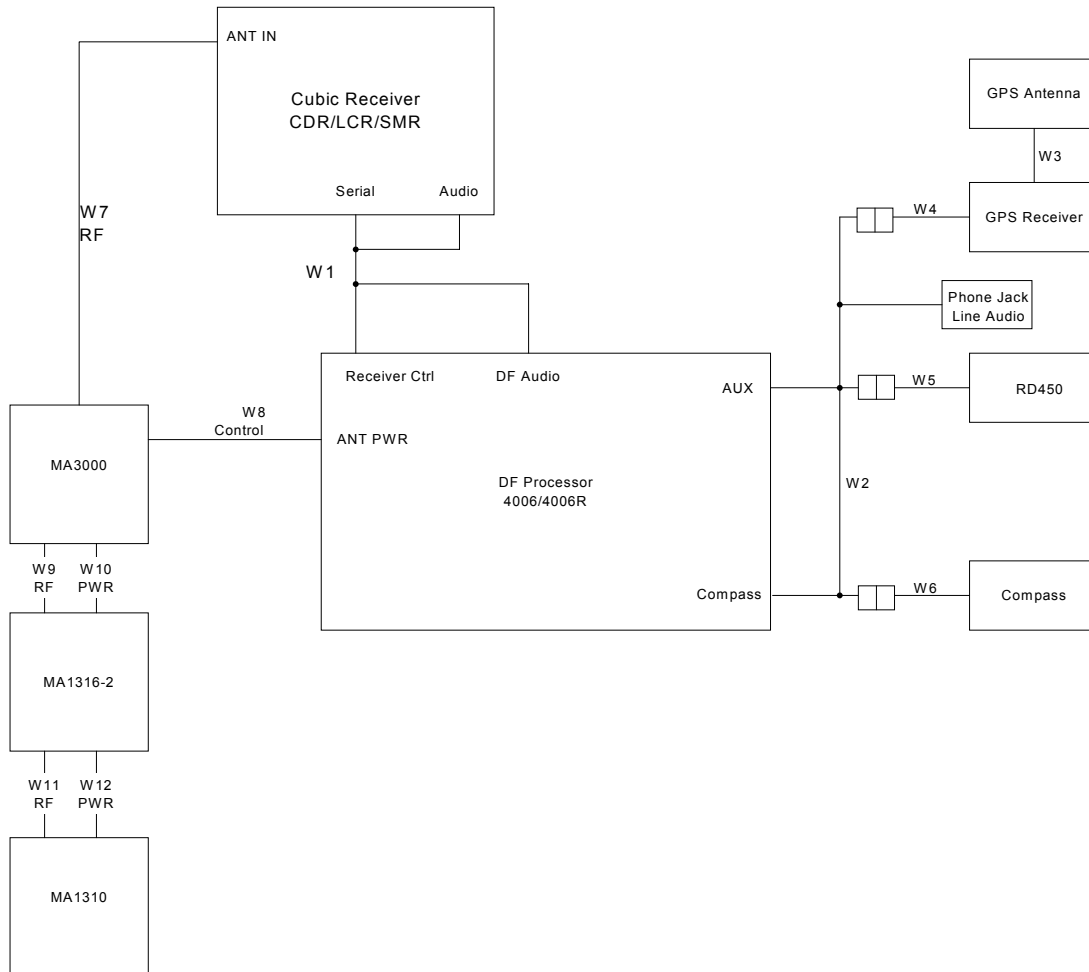
(Rear panel view)

R-9000 Receiver Accessory Socket

Item	Description	Cubic Part #
5 (P1)	Receiver Accessory Socket 8 pin DIN	342-075 (SD-80, CUI Stack)
2 (P2)	DF Processor Receiver Control 15 pin D-Subminiature, female	324-070
3	Jackscrew	324-106
4	Backshell	324-118
6	Cable, 3 conductor, 24 AWG	671-636
16	Heatshrink, 1/8"	675-551

Typical System Configurations

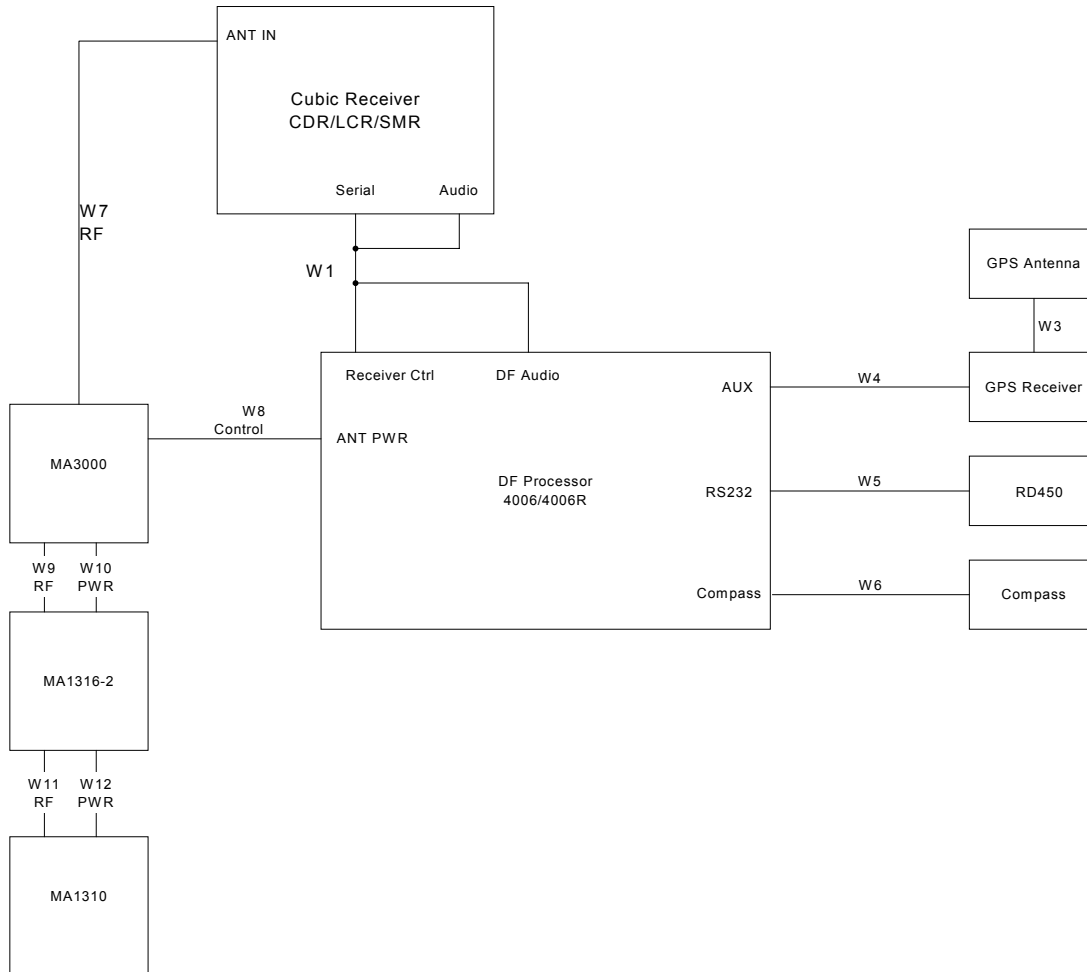
(Serial Numbers ≤ 673)



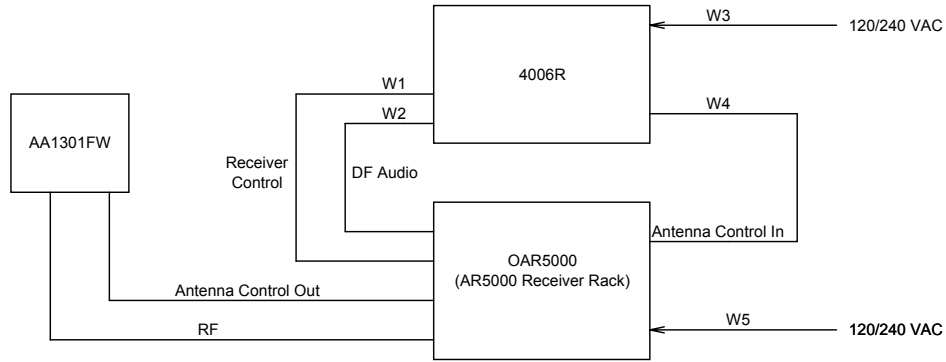
Designation	Description	Part #	Designation	Description	Part #
W1	Receiver Control	0251-5003-1	W6	Compass Serial Cable	(supplied with compass)
W2	Accessory Adapter Cable	0252-5015-1	W7	Antenna RF Cable	(dependent on system receiver)
W3	GPS Antenna Cable	(supplied with GPS)	W8	Antenna Control Cable	350-403-1
W4	GPS Control Cable	(supplied with GPS)	W9, W11	Cascade Antenna RF Cables	3011400-5-60
W5	Null Modem Cable	670-046	W10, W12	Cascade Antenna Control Cables	3011403-5-60

Typical System Configurations

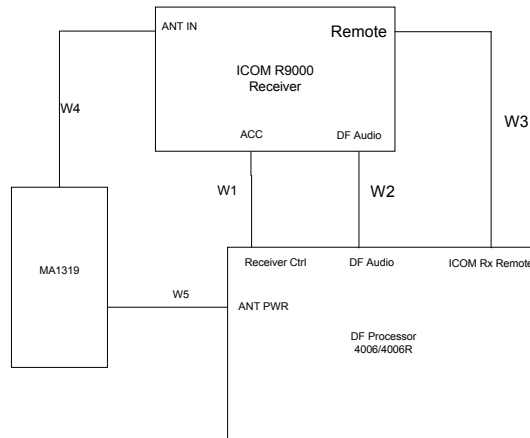
(Serial Numbers \geq 674)



Designation	Description	Part #	Designation	Description	Part #
W1	Receiver Control	0251-5003-1	W6	Compass Serial Cable	(supplied with compass)
W2	Not Used	N/A	W7	Antenna RF Cable	(dependent on system receiver)
W3	GPS Antenna Cable	(supplied with GPS)	W8	Antenna Control Cable	350-403-1
W4	GPS Control Cable	(supplied with GPS)	W9, W11	Cascade Antenna RF Cables	3011400-5-60
W5	Null Modem Cable	670-046	W10, W12	Cascade Antenna Control Cables	3011403-5-60



Designation	Description	Part #
W1	Receiver Control Cable 15 pin, M/F D-subminiature	670-035
W2	DF Audio Cable	0252417-1
W3, W5	AC Power Cord NEMA 5-15P CEE 7	696-012 696-021
W4	Antenna Control	0251484-1-24



Designation	Description	Part #
W1	Receiver Interface Cable	0250-5002-1
W2	DF Audio Cable	3011404-2
W3	ICOM Remote Cable	670-028
W4	Antenna RF Cable	-
W5	Antenna Control Cable	-